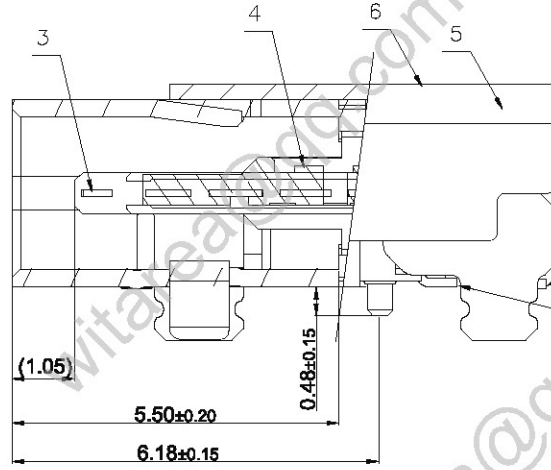
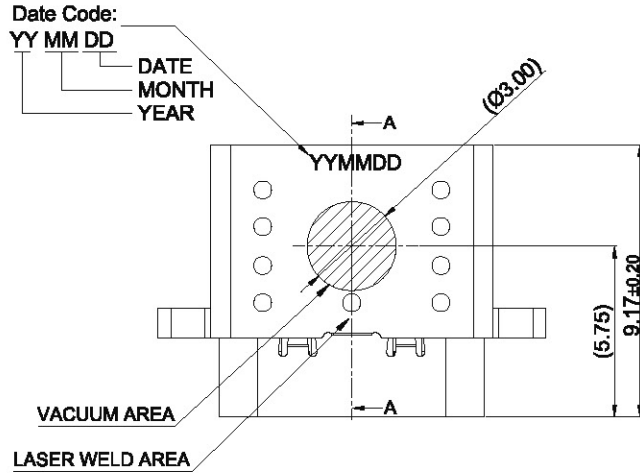


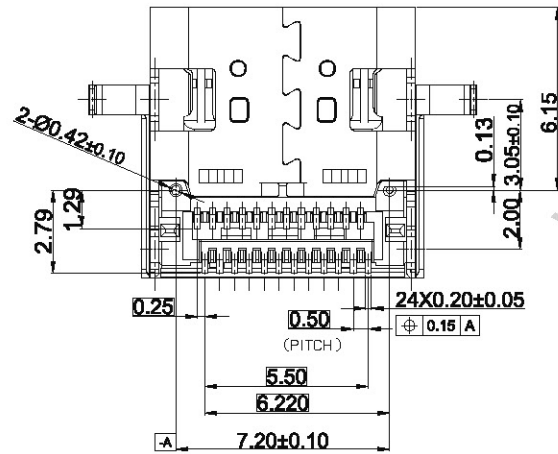
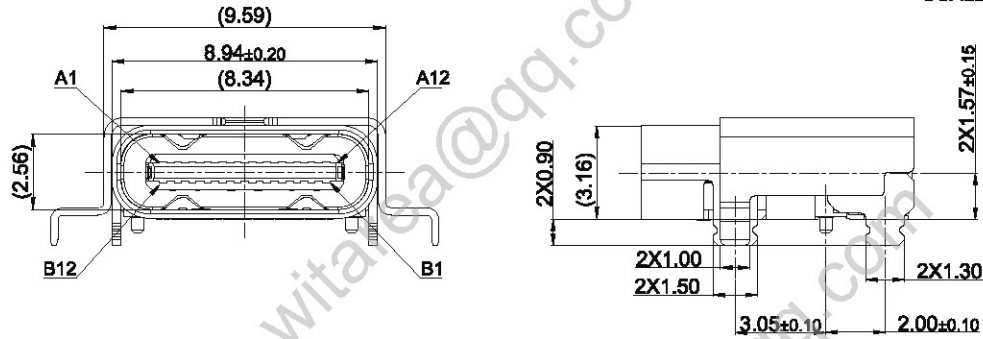
REV	ECN No.	DATE	REMARK
A	NEW	2020.12.15	NEW RELEASE



SECTION A-A(剖视图A-A)
SCALE 2:1 (比例 2:1)

NOTES/注释:

- MATERIAL/材料: SEE TABLE/见下表
- GENERAL SPECIFICATION/通用特性:
2.1 COPLANARITY/共面度: 0.10 Max.
2.2 CURRENT RATING: 5A/额定电流: 5安培
2.3 CONTACT RESISTANCE: 40mΩ MAX (INITIAL).
INSULATION RESISTANCE: 100MΩ Min
接触电阻: 40毫欧最大(初始值) / 绝缘电阻: 100MΩ Min
- DIELECTRIC WITHSTANDING VOLTAGE: 100 VAC
耐电压: 100伏交流
- MECHANICAL CHARACTERISTICS:
INSERTION FORCE: 5~20N EXTRACTION FORCE: 8~20N
AFTER DURABILITY EXTRACTION FORCE: 6~20N
力学特性: 初始插入力: 5~20N 拔出力: 8~20N
耐久后拔出力: 6~20N



ITEM	DESCRIPTION	QTY	MATERIAL	FINISH	REMARK
6	OUT SHELL	1	SUS304	NICKEL PLATING	0.25mm
5	INT SHELL	1	SUS304	NICKEL PLATING	0.3mm
4	MAIN HOUSING	1	PART HF 30%玻纤, UL94 V-0, 黑色	-	COLOR:BLACK
3	MID PLATE	1	SUS301	-	0.15mm
2	BOTTOM TERMINAL	1	C18140	MATING SIDE:SEE PART NO; SOLDER TAIL:GOLD FLASH, 30μ' NICKEL OVERALL.	0.12mm
1	TOP TERMINAL	1	C18140		0.12mm

PART NO.: SEE THE PART NUMBER CODE

深圳市纬域科技有限公司
SHENZHEN WITAREA TECHNOLOGY CO., LTD

DRAWN BY: ANDY YANG DATE: 2020.12.15

CHECKED BY: JAMES XIAO DATE: 2020.12.15

APPROVED BY: JASON ZENG DATE: 2020.12.15

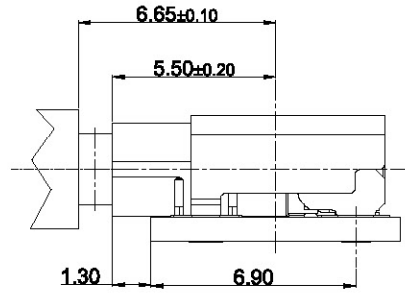
TITLE: USB 4.0 TYPE C 24PIN RECEPTACLE, TOP-MOUNT, DUAL-ROW SMT, WITH BRACKET, CH=1.57MM, L=8.17MM, SOLDER TAB=0.9MM

DWG.NO.: W0028-24-TM1-S5 SHEET NO.: 1 OF 3

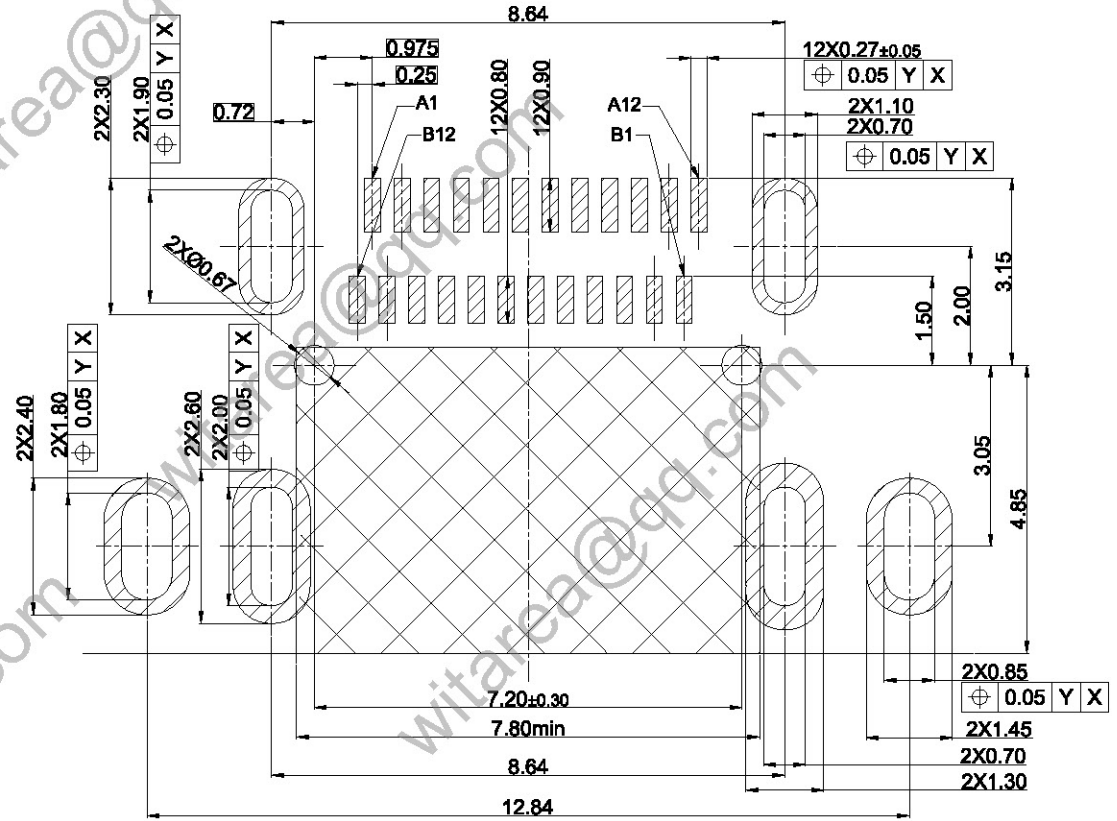
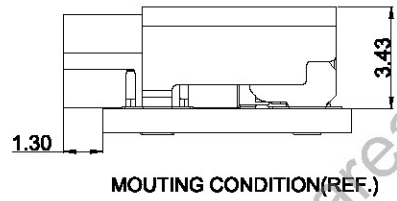
DIMENSION STYLE: MM ONLY DESIGN UNITS: METRIC SCALE: 1:1

THIRD ANGLE PROJECTION

REV	ECN No.	DATE	REMARK
A	NEW	2020.12.15	NEW RELEASE



MATED CONDITION(REF.)



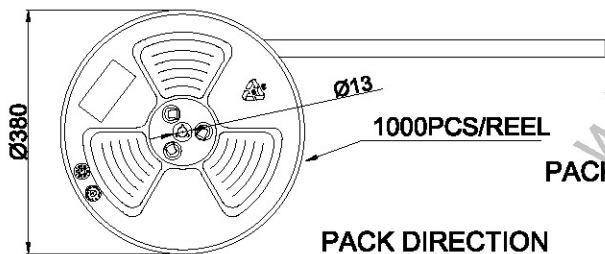
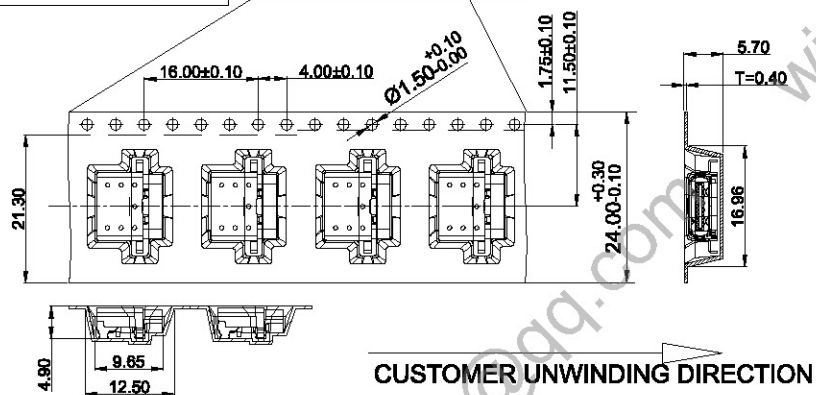
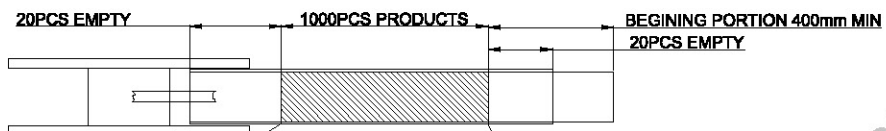
Recommended PCB Layout(Top View)/推荐的PCB布局(前视图)
General Tolerances:±0.05/一般公差:±0.05

USB TYPE-C PIN ASSIGNMENTS

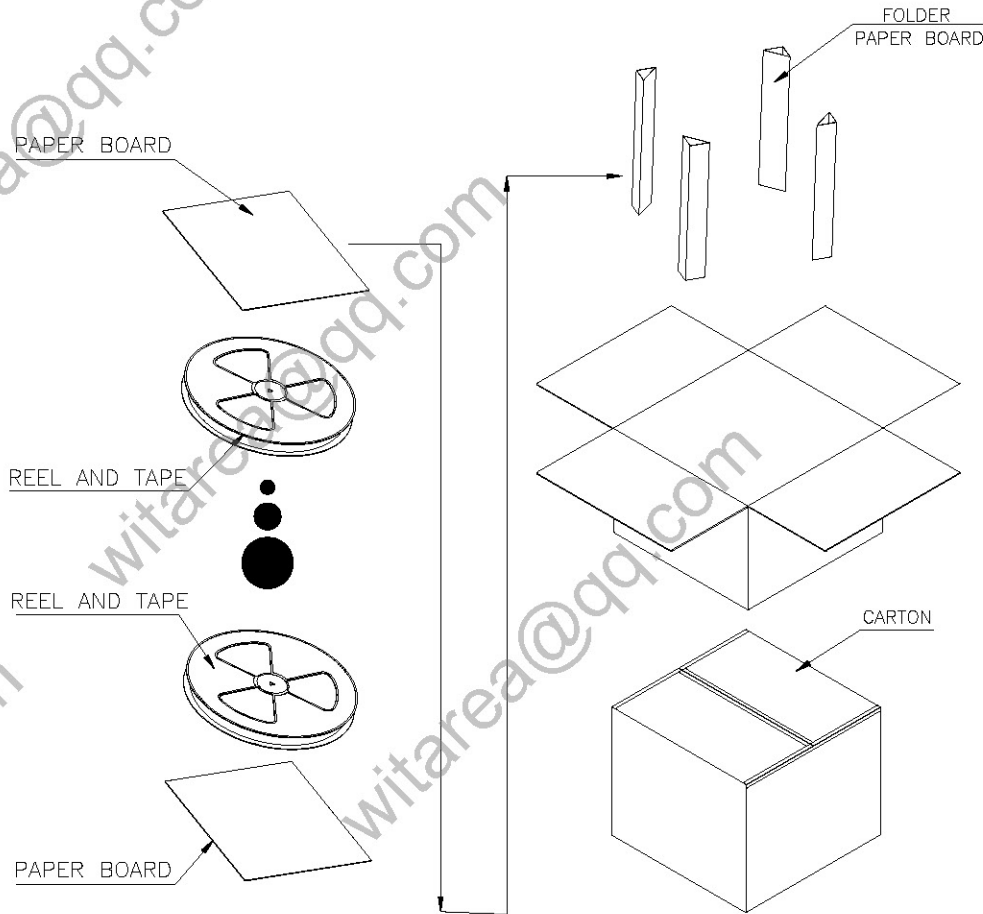
PIN NUMBER	SIGNAL NAME	PIN NUMBER	SIGNAL NAME
A1	GND	B12	GND
A2	SSTXp1	B11	SSRXp1
A3	SSTXn1	B10	SSRXn1
A4	VBUS	B9	VBUS
A5	CC1	B8	SBU2
A6	Dp1	B7	Dn2
A7	Dn1	B6	Dp2
A8	SBU1	B5	CC2
A9	VBUS	B4	VBUS
A10	SSRXn2	B3	SSTXn2
A11	SSRXp2	B2	SSTXp2
A12	GND	B1	GND

PART NO.: SEE THE PART NUMBER CODE	深圳市纬域科技有限公司 SHENZHEN WITAREA TECHNOLOGY CO., LTD		DRAWN BY ANDY YANG	DATE 2020.12.15	
	GENERAL TOLERANCES (UNLESS SPECIFIED)		CHECKED BY JAMES XIAD	DATE 2020.12.15	
QUALITY SYMBOL	x.xxxxx	± ---	APPROVED BY JASON ZENG		
0	x.xxx	± 0.10			
0	x.xx	± 0.20	DATE 2020.12.15		
0	x.x	± 0.30			
0	ANGULAR	± ---°	DATE 2020.12.15		
TITLE USB 4.0 TYPE C 24PIN RECEPTACLE , TOP-MOUNT, DUAL-ROW SMT, WITH BRACKET, CH=1.57MM, L=9.17MM, SOLDER TAB=0.9MM		DWG.NO. W0028-24-TM1-S5	SHEET NO. 2 OF 3	THIRD ANGLE PROJECTION	
DIMENSION STYLE MM ONLY		DESIGN UNITS METRIC	SCALE 1:1		

REV	ECN No.	DATE	REMARK
A	NEW	2020.12.15	NEW RELEASE



PACKING: 1. 1000 PCS/REEL.
2. 10 REEL/Carton



	REEL	CARTON
CONNECTOR (PCS)	1000	10000

PART NO.:
SEE THE PART NUMBER CODE

QUALITY SYMBOL	TOLERANCE
0	±0.10
0	±0.20
0	±0.30
0	ANGULAR

深圳市纬域科技有限公司
SHENZHEN WITAREA TECHNOLOGY CO., LTD

TITLE
USB 4.0 TYPE C 24PIN RECEPTACLE , TOP-MOUNT, DUAL-ROW SMT,
WITH BRACKET, CH=1.57MM, L=8.17MM, SOLDER TAB=0.9MM

DWG.NO. W0028-24-TM1-S5

DESIGN UNITS METRIC

SCALE 1:1

DRAWN BY ANDY YANG	DATE 2020.12.15
CHECKED BY JAMES XIAD	DATE 2020.12.15
APPROVED BY JASON ZENG	DATE 2020.12.15

THIRD ANGLE PROJECTION