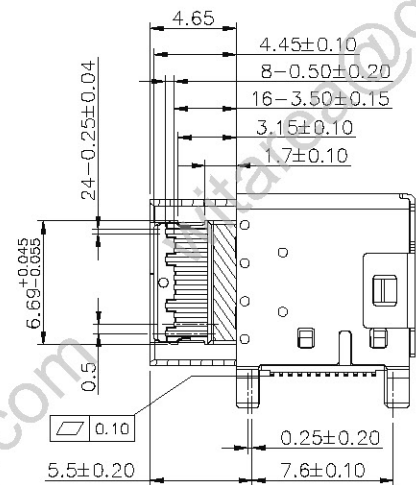
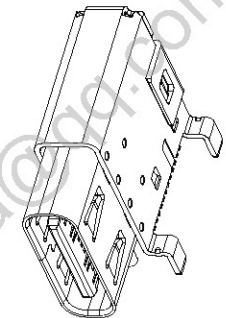
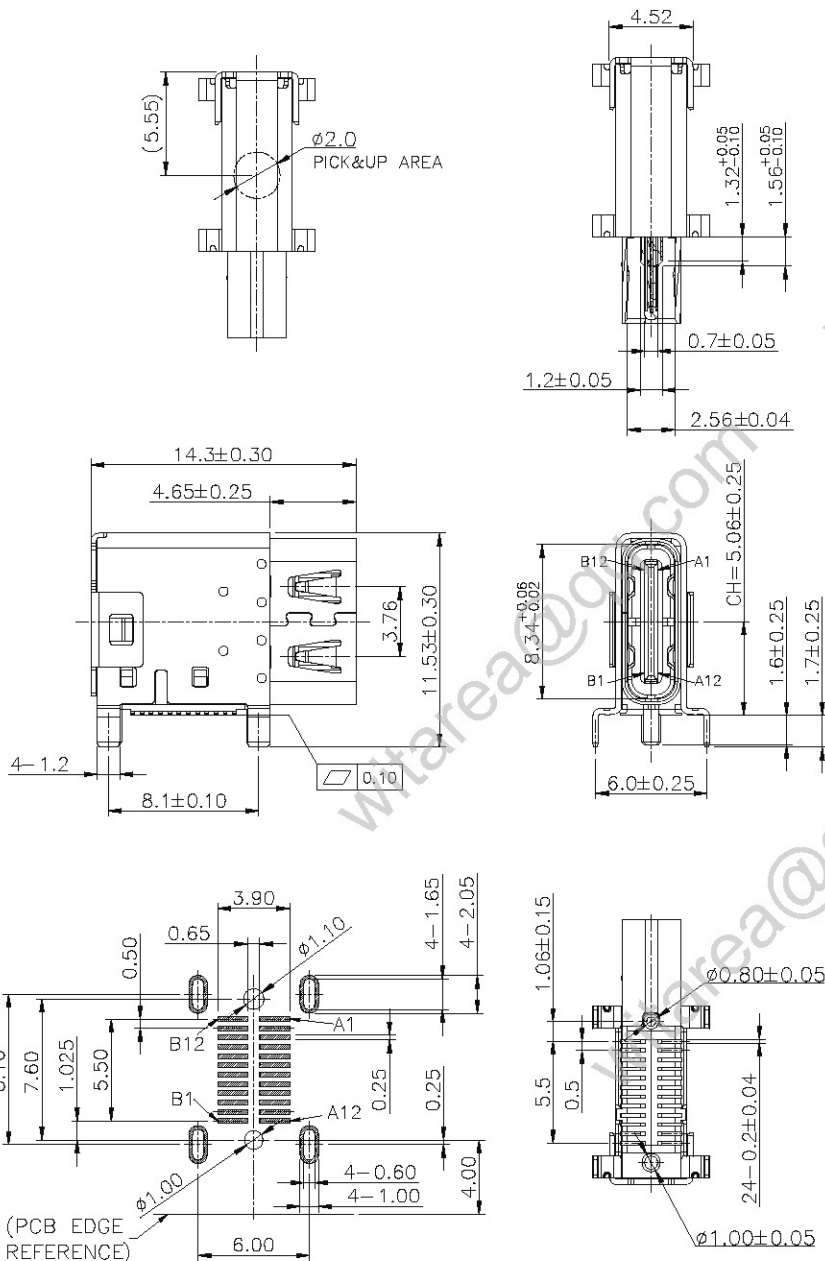


REV	ECN No.	DATE	REMARK
A	NEW	2020.12.15	NEW RELEASE



MATERIALS

- HOUSING : LCP (UL 94V-0), BLACK.
- TERMINAL : COPPER ALLOY,C18400 T=0.12
GOLD 3u"PLATED ON CONTACT AREA.
GOLD FLASH PLATING ON SOLDER TAIL.
NICKEL UNDERPLATED OVER ALL.
- MID PLATE : STAINLESS STEEL, SUS301 T=0.15
- SHELL : STAINLESS STEEL,SUS301 T=0.30 NICKEL PLATING.
- EMI : STAINLESS STEEL,SUS304 T=0.10

SPECIFICATION

- CURRENT RATING : 5.0A FOR Vbus PIN,
1.25A FOR Vconn PIN,
0.25A FOR OTHER PINS.
- CONTACT RESISTANCE : 40mΩ.
- INSULATION RESISTANCE : 100MΩ MIN.
- DIELECTRIC WITHSTANDING VOLTAGE : 100 VAC MIN.
- OPERATING TEMPERATURE : -40°C TO +85°C.
- MATING FORCE : 5~20N.
- UNMATING FORCE : 8~20N.
- DURABILITY : 10,000 CYCLES.
- RECOMMENDED PROCESS :
THE PEAK TEMPERATURE ON THE BOARD SHALL
MAINTAIN 260°C.

10. 高频40G

PIN ASSIGNMENT:


PIN	Signal Name	PIN	Signal Name
A1	GND	B12	GND
A2	SSTxp1	B11	SSRXp1
A3	SSTxn1	B10	SSRXn1
A4	Vbus	B9	Vbus
A5	CC1	B8	SBU2
A6	Dp1	B7	DN2
A7	Dn1	B6	DP2
A8	SBU1	B5	CC2
A9	Vbus	B4	Vbus
A10	SSRXn2	B3	SSTXn2
A11	SSRXp2	B2	SSTXp2
A12	GND	B1	GND

RECOMMENDED P.C.B LAYOUT
TOLERANCE ± 0.05mm (TOP VIEW)

PART NO.:
SEE THE PART NUMBER CODE

QUALITY SYMBOL	GENERAL TOLERANCES (UNLESS SPECIFIED)
$\nabla=0$	x.xxxxx ± ---
$\nabla=1$	x.xxx ± 0.10
$\nabla=2$	x.xx ± 0.20
$\nabla=3$	x.x ± 0.30
$\nabla=4$	ANGULAR ± --°

深圳市纬域科技有限公司 SHENZHEN WITAREA TECHNOLOGY CO., LTD	
TITLE USB 4.0 TYPE C 24PIN RECEPTACLE , FLAG-MOUNT, DUAL-ROW SMT,WITH BRACKET, CH=5.06MM, L=14.3MM	
DWG.NO. W0028-24-FM1-S1	SHEET NO. 1 OF 1
DIMENSION STYLE MM ONLY	DESIGN UNITS METRIC
SCALE 1:1	

DRAWN BY ANDY YANG	DATE 2020.12.15
CHECKED BY JAMES XIAD	DATE 2020.12.15
APPROVED BY JASON ZENG	DATE 2020.12.15
 THIRD ANGLE PROJECTION	