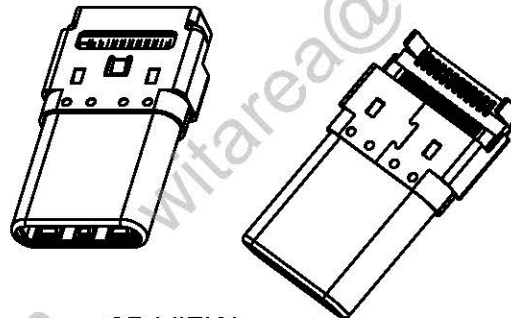
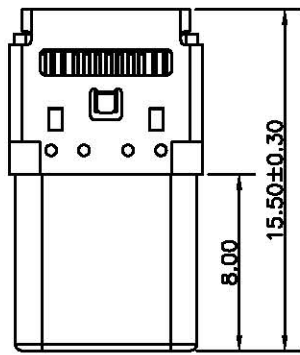


RoHS Compliant

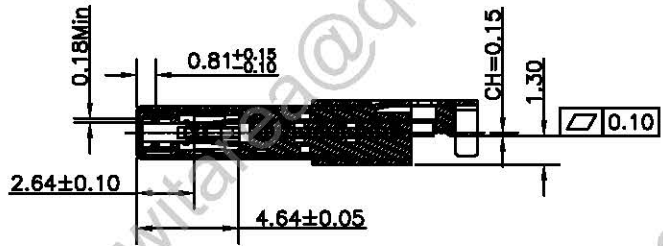
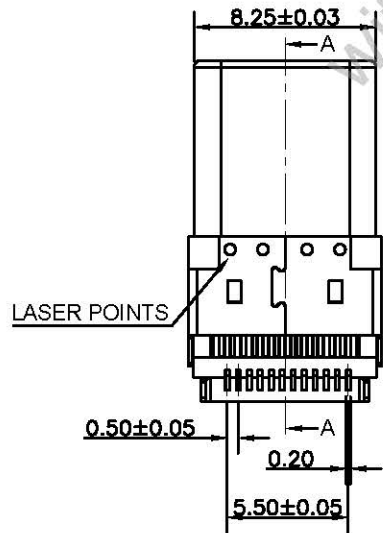
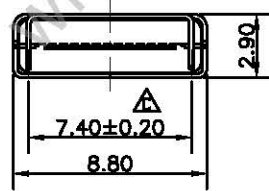
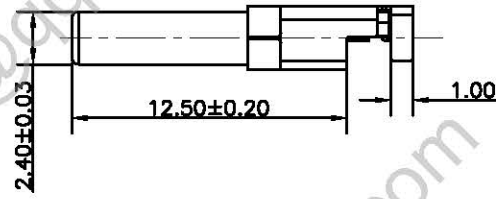
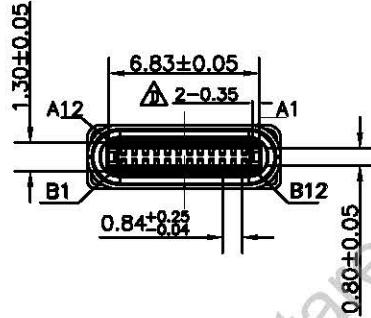
THIS DRAWING CONTAINS INFORMATION THAT IS PROPRIETARY TO WITAREA TECHNOLOGY, AND SHOULD NOT BE USED WITHOUT WRITTEN PERMISSION

REV	ECN No.	DATE	REMARK
A	NEW	2018.06.13	NEW RELEASE



3D VIEW

- NOTE:**
- Electrical Characteristics:**
 Current Rating: 5A For Pin(A4,A9,B4,B9)
 1.25A For Others Pin
 Insulation Resistance: 100MΩ Min.
 Contact Resistance: 40 mΩ Max.
 Dielectric Withstanding Voltage:100V/AC 1Minute
 - Mechanical Characteristics:**
 Insertion Force: 5~20N
 Extraction Force: Initial: 8~20N
 After durability: 6~20N
 Durability :10000 Cycles
 - Salt Spray :24H/48H**
 - Operating Temperature: -30°C TO +85°C**
 - 符合ROHS & HF要求.



SECTION: A-A

ITEM	NAME	QTY.	MATERIAL	DESCRIPTION
7	CAP	1	LCP UL94V-0	Color: Black
6	Shield	1	Stainless Steel SUS304	Nickel Plating
5	Housing	4	LCP UL94V-0	Color: Black
4	Latch	1	Stainless Steel SUS301	
3	Contact	24	Copper Alloy C7025	3u" gold plated on Contact area, Matte Tin plated on Solder tails, Nickel underplating over all
2	Emc Spring	2	Stainless Steel SUS304	
1	Shell	1	Stainless Steel SUS316L	Nickel Plating

PART NO.:
SEE THE PART NUMBER CODE

深圳市纬域科技有限公司
SHENZHEN WITAREA TECHNOLOGY CO., LTD

TITLE:
USB3.1 TYPE C 24PIN SMT MALE PLUG,MID-MOUNT,
OFFSET 1.3MM, DUAL ROW SMT,CH=0.15MM,L=15.5MM

QUALITY SYMBOL

X,XXXX	+	---
X,XXX	+	0.10
X,XX	+	0.25
X,X	+	0.30
ANGULAR	+	---

DWGNO.: V0025-24-MMI-S2
SHEET N1: 1 OF 2

DIMENSION STYLE: MM ONLY
DESIGN UNITS: METRIC
SCALE: 1:1

DRAWN BY: ANDY YANG
DATE: 2022.04.29

CHECKED BY: JAMES XIAO
DATE: 2022.04.29

APPROVED BY: JASON ZENG
DATE: 2022.04.29

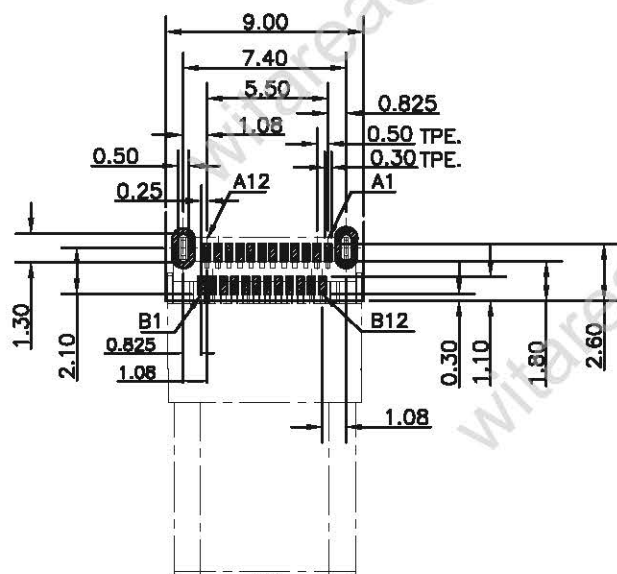
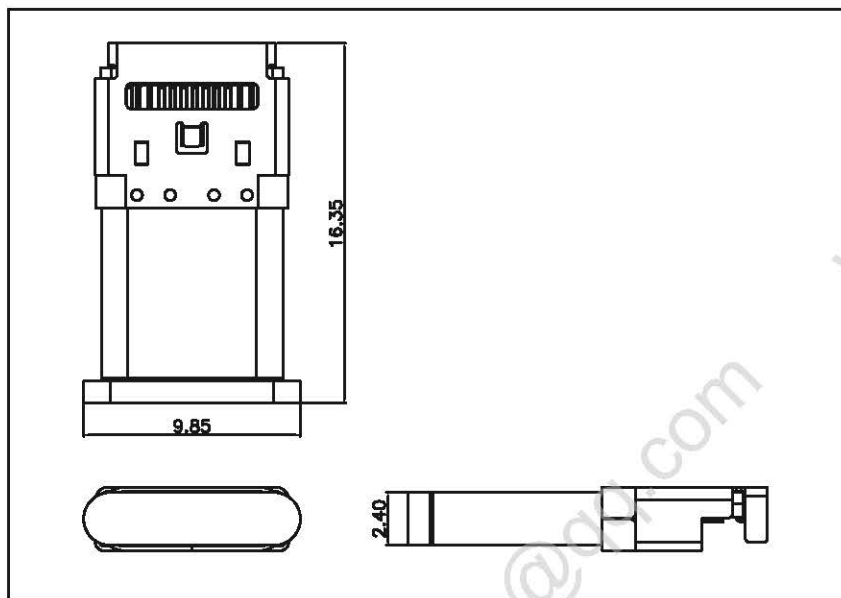
THIRD ANGLE PROJECTION

RoHS Compliant 

THIS DRAWING CONTAINS INFORMATION THAT IS PROPRIETARY TO WITAREA TECHNOLOGY, AND SHOULD NOT BE USED WITHOUT WRITTEN PERMISSION

REV	ECN No.	DATE	REMARK
A	NEW	2018.06.13	NEW RELEASE

带塞子尺寸示意图



RECOMMENDED P.C.B. LAYOUT
T=0.80 OR 1.00mm
TOLERANCE UNSPECIFIED ±0.05mm

USB TYPE-C PIN ASSIGNMENTS

PIN NUMBER	SIGNAL NAME	PIN NUMBER	SIGNAL NAME
A1	GND	B12	GND
A2	SSTXp1	B11	SSRXp1
A3	SSTXn1	B10	SSRXn1
A4	Vbus	B9	Vbus
A5	CC1	B8	SBU2
A6	Dp1	B7	Dn2
A7	Dn1	B6	Dp2
A8	SBU1	B5	CC2
A9	Vbus	B4	Vbus
A10	SSRXn2	B3	SSTXn2
A11	SSRXp2	B2	SSTXp2
A12	GND	B1	GND

PART NO.: SEE THE PART NUMBER CODE		深圳市纬域科技有限公司 SHENZHEN WITAREA TECHNOLOGY CO., LTD		DRAWN BY ANDY YANG		DATE 2022.04.29	
GENERAL TOLERANCES (UNLESS SPECIFIED)		TITLE		CHECKED BY		DATE	
		USB3.1 TYPE C 24PIN SMT MALE PLUG,MID-MOUNT, OFFSET 1.3MM, DUAL ROW SMT,CH=0.15MM,L=15.5MM		JAMES XIAO		2022.04.29	
QUALITY SYMBOL	X:XXXX	DVGNO.		APPROVED BY		DATE	
0	X:XXX	V0025-24-MMI-S2		JASON ZENG		2022.04.29	
0	X:XX	DIMENSION STYLE		SHEET NO.		THIRD ANGLE PROJECTION	
0	X:X	MM ONLY		2 OF 2			
0	ANGULAR	DESIGN UNITS		SCALE			
		METRIC		1:1			